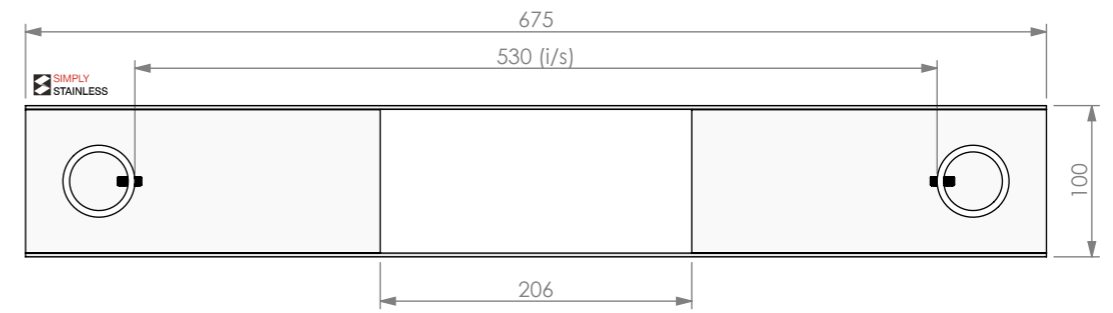
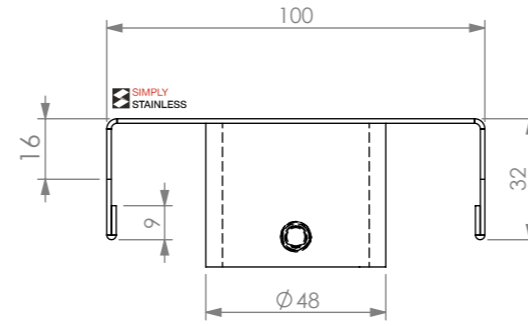


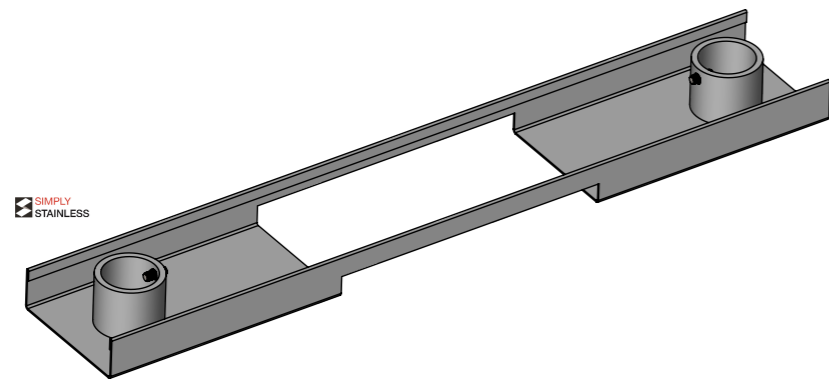
**PLAN
600 SERIES**



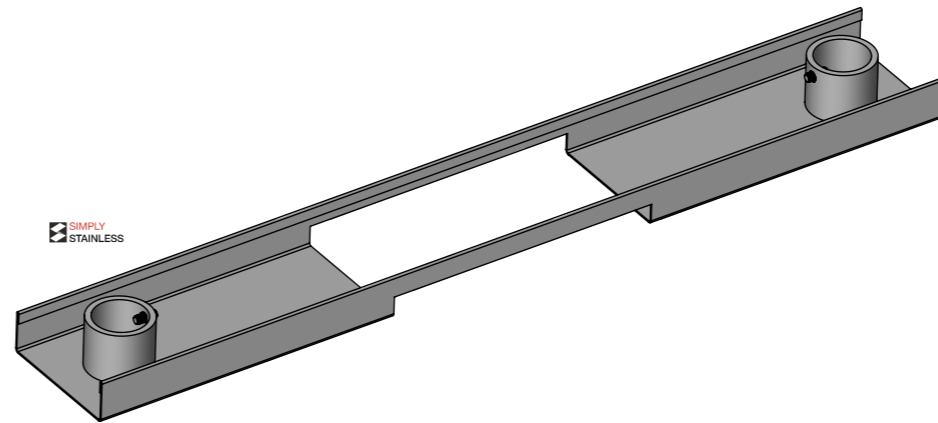
**PLAN
700 SERIES**



SECTION VIEW



**ISO VIEW
600 SERIES**



**ISO VIEW
700 SERIES**



Modular Sinks, Tables & Shelving
COPYRIGHT © 2022

This drawing is the property of CI GROUP PTY LTD. Tradings as SIMPLY STAINLESS and it may not be copied, reproduced or modified in whole or in part without prior written permission of CI GROUP PTY LTD. SIMPLY STAINLESS reserves the right to change specification and design without notice.

LEG ADAPTOR 600 & 700 SERIES

SIZE: A3

SCALE : 1:5

CONSTRUCTION NOTES :

- 1.CHANNEL MADE FROM 1.2mm STAINLESS STEEL.
2. STAINLESS STEEL SOCKETS TO SUIT 38mm LEG x2